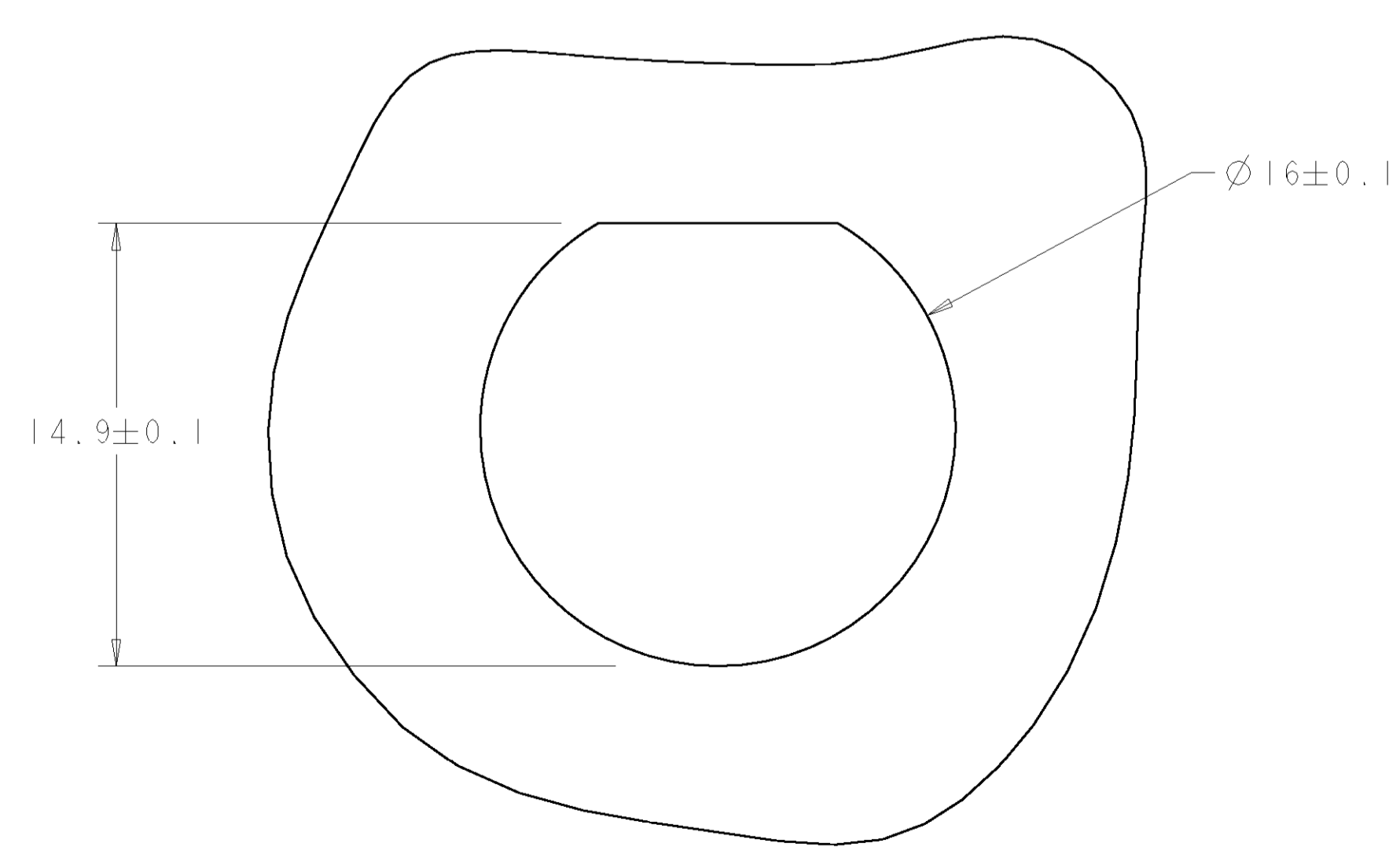
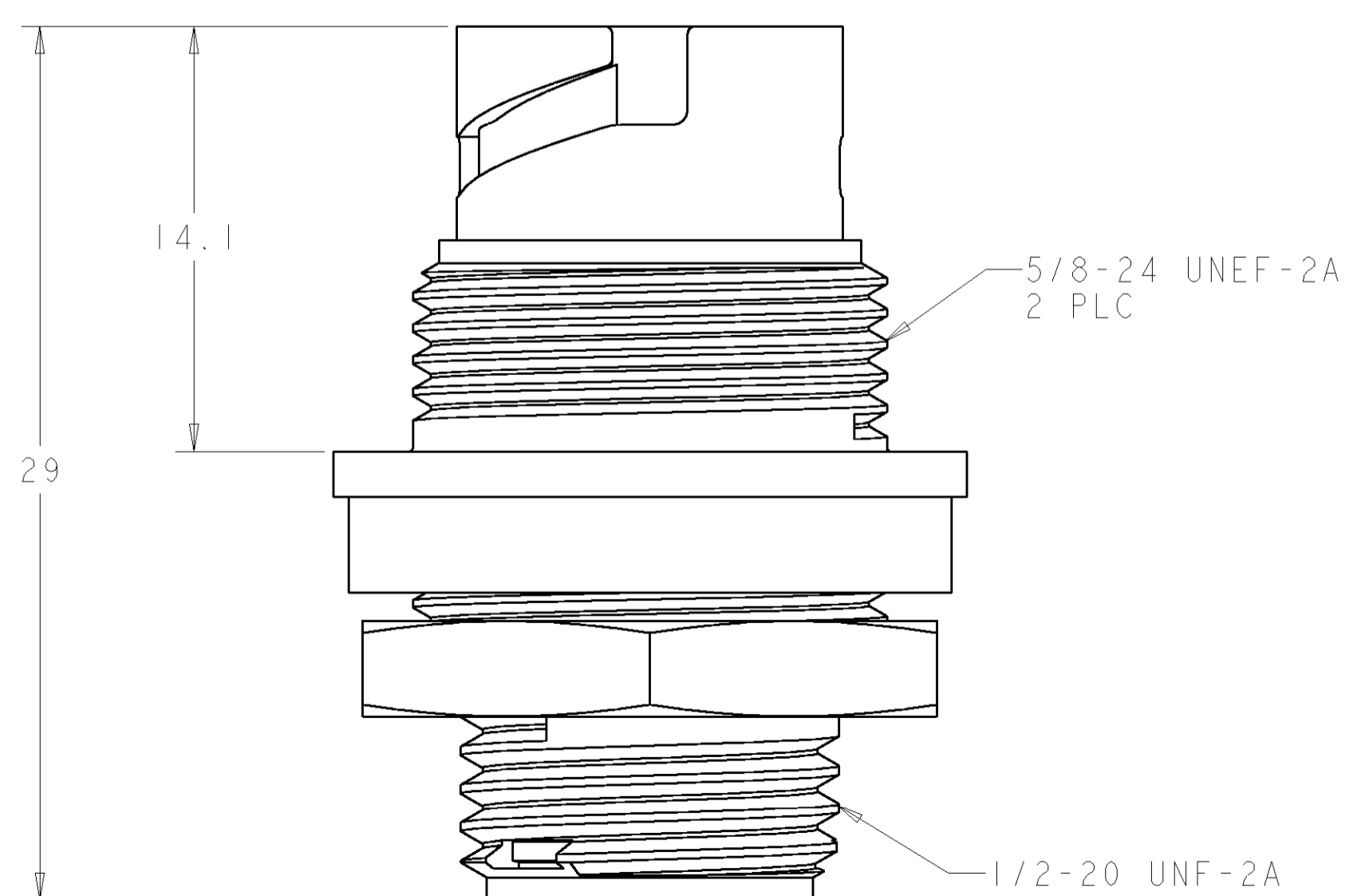
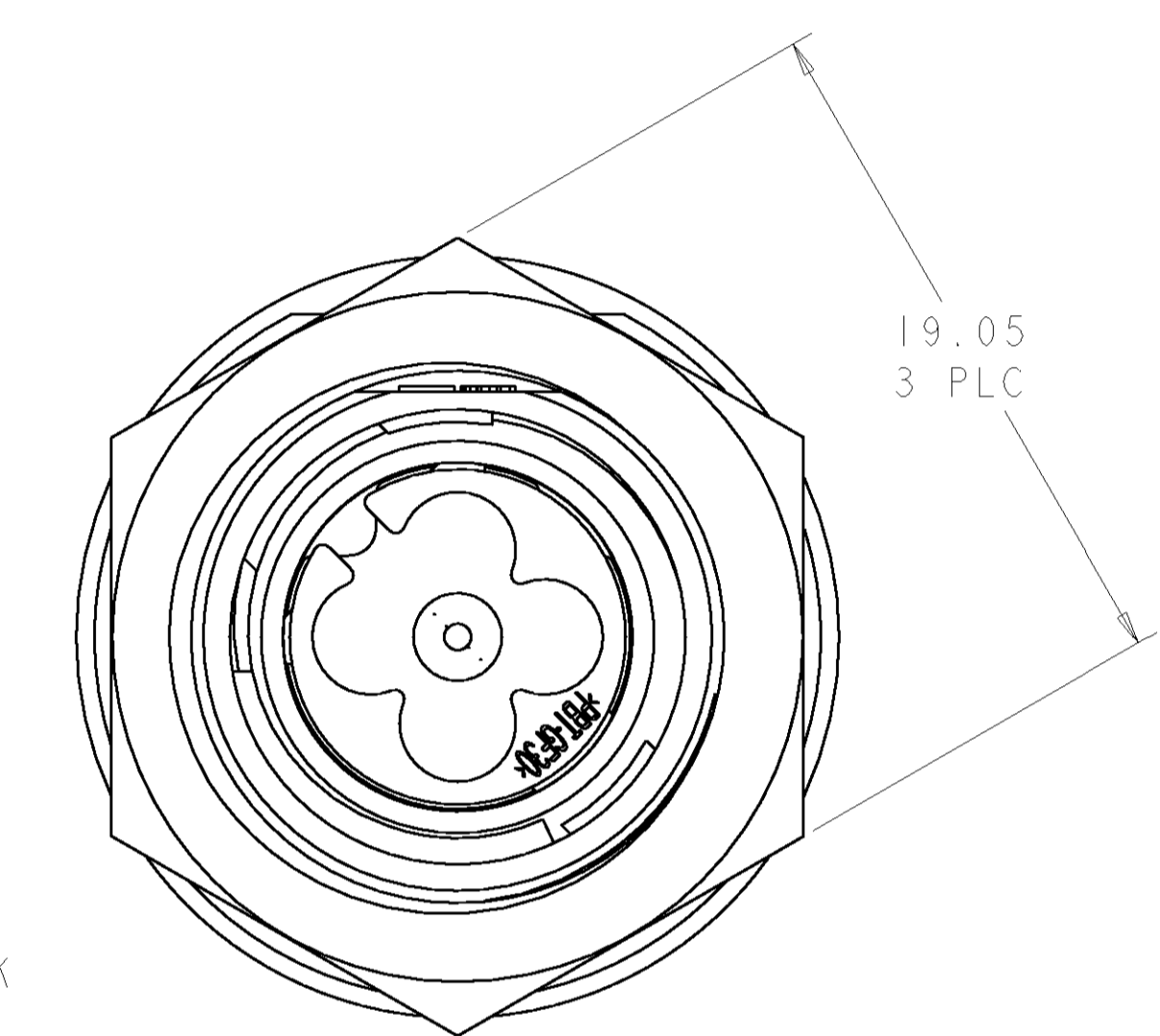
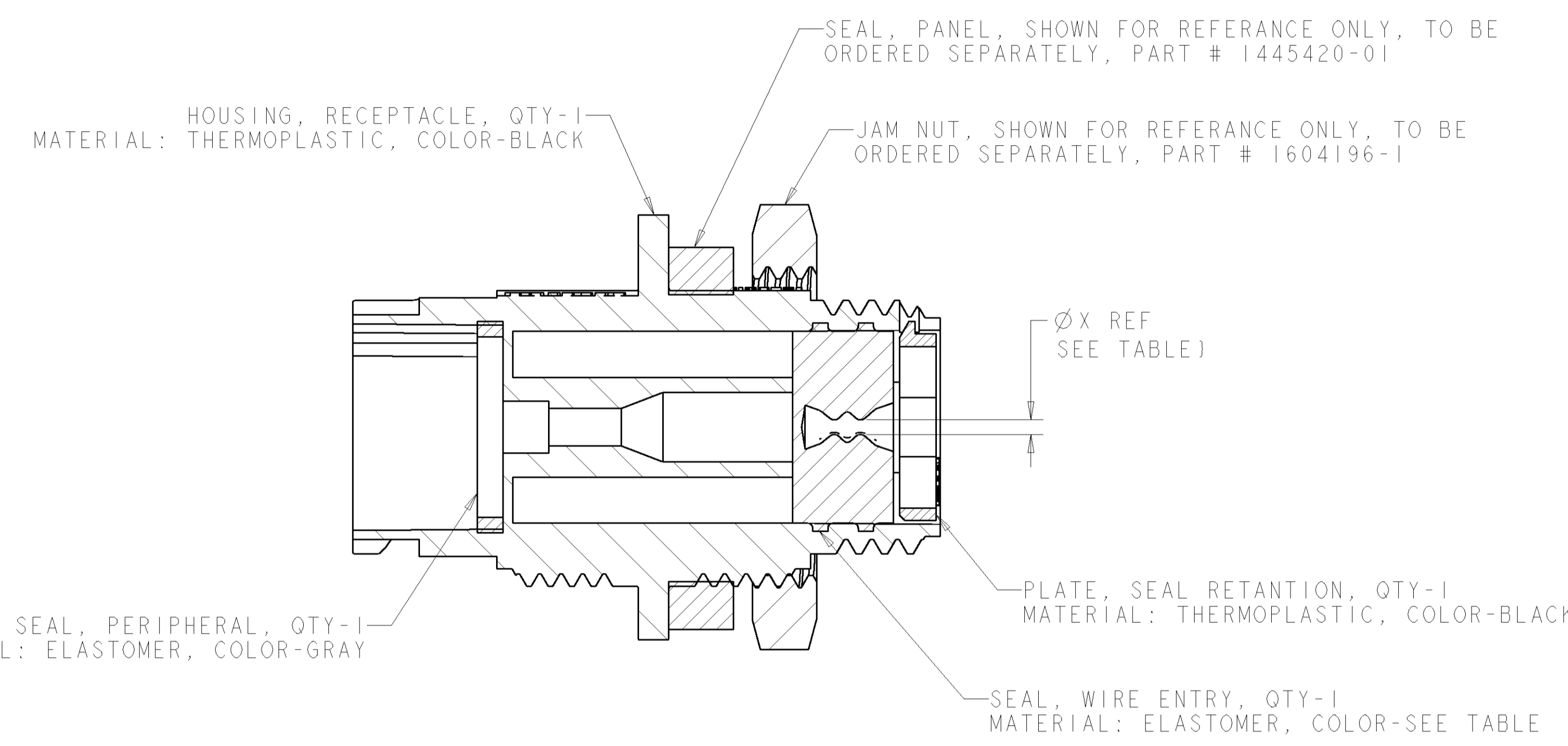
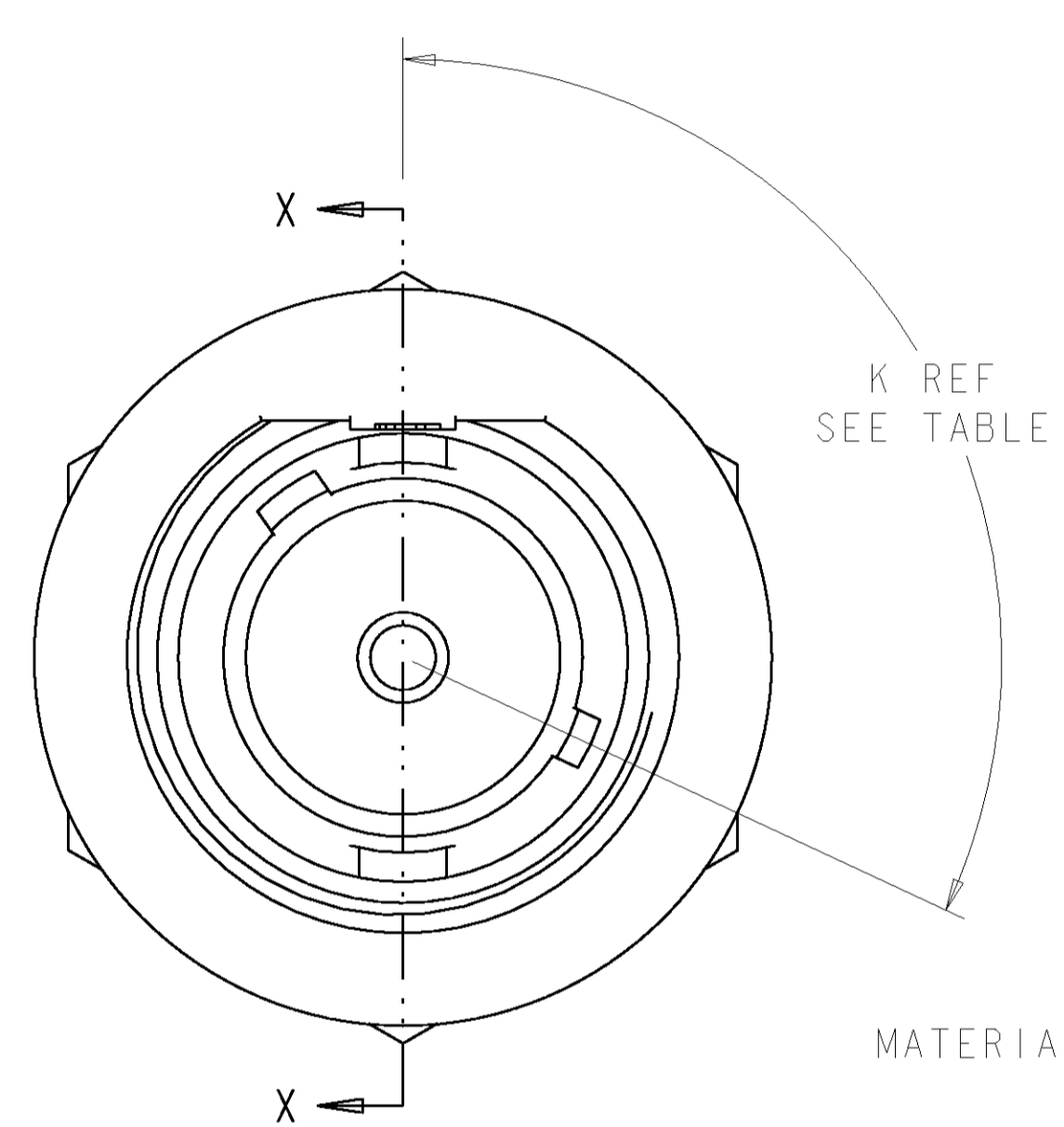
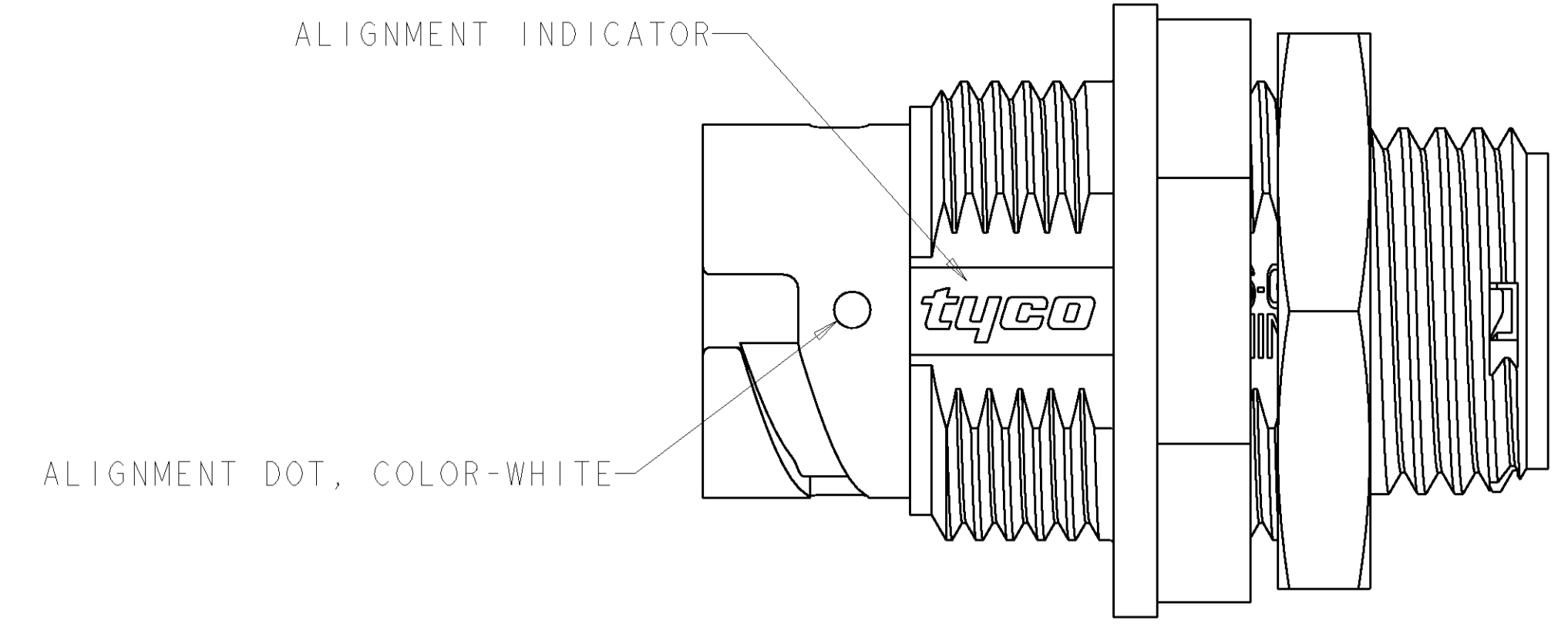


LOC		DIST		REVISIONS			
FT	0	P	LTR	DESCRIPTION	DATE	DWN	APVD
		A		RELEASED EC 0638-0326-03	13JUN2003	SW	HW
		B		REVISED EC 0638-0390-04	24MAY2004	SW	HW



1. CONNECTOR CAN BE FRONT OR REAR PANEL MOUNTED.
 △ MAX PANEL THICKNESS - 3.18

QUALIFICATION TEST PENDING

YELLOW	Ø0.75	130°	1445539-04
NATURAL	Ø1.5	115°	1445539-03
NATURAL	Ø1.5	130°	1445539-02
YELLOW	Ø0.75	115°	1445539-01
SEAL, WIRE ENTRY COLOR	ØX REF	K REF	PART NUMBER

DIMENSIONS:		TOLERANCES UNLESS OTHERWISE SPECIFIED:		DWN: S WIEST 08MAY2001		Tyco Electronics Harrisburg, PA 17105-3608	
mm	0 PLC ±0.5	1 PLC ±0.13	2 PLC ±0.13	3 PLC ±0.13	4 PLC ±0.001	ANGLES ±	FINISH
MATERIAL: SEE CALLOUT	CUSTOMER DRAWING			SCALE: 5:1	SHEET 1 OF 1	REV B	RESTRICTED TO
NAME: ASSEMBLY, RECEPTACLE, SIZE 8, 1 POSITION, PANEL MOUNT, MINI CPC SIZE: CAGE CODE DRAWING NO: A 00779 C=1445539				APVD: H WAKEEM 13JUN2003 PRODUCT SPEC: - APPLICATION SPEC: - WEIGHT: - CUSTOMER DRAWING			